



2 CM
THICK TILE

THROUGH BODY PORCELAIN PAVERS

A M E S

TILE & STONE

www.amestile.com/2cm

LANDSTONE

24" x 24"

BASALTINA



***Ivory
BST04**



**Slate Grey
BST03**



**Granite
BST02**



**Graphite
BST01**

*6-8 weeks delivery time. Please contact an Ames Consultant for more information.



SANDSTONE

24" x 24"



**Graphite
SDS01**



SLATE 24" x 24"



SLATE
SLT015G



TRAVERTINE 24" x 24"



Crema
TRV01



Light
TRV02

X ROCK

24" x 24"

White
XRW242CM

Beige
XRB242CM

Grey
XRG242CM

Night
XRN242CM



WHY USE 2CM THICK PORCELAIN TILE?

- No need to seal
- High abrasion and stain resistance
- Withstand extreme temperature changes (-50°C to +60°C)
- Durable – with high breaking points and wear resistance
- Less than 10lbs per sq. ft. - No efflorescence
- Always “true to size” resulting in quick and easy installation
- High COF – good for traffic areas with slip concern

ELAPSE

24" x 24"

Mist
ELAMI242CM

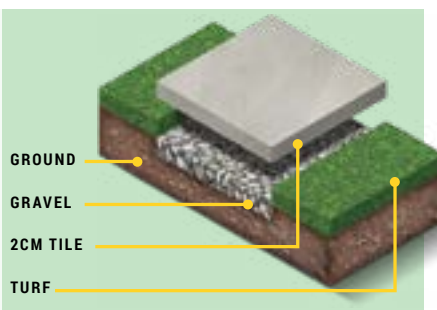
Cave
ELACA242CM



INSTALLATION OPTIONS

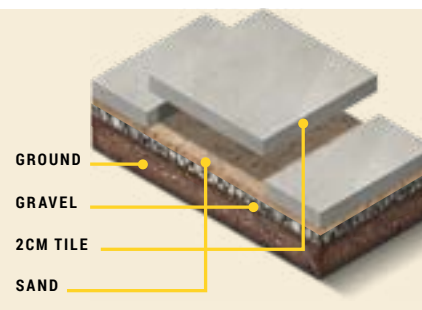
ON GRASS

Directly utilize the 2CM tile on grass so you can remove and reposition the product to maximize the different patterns and design formations. Dry installation is convenient and easy with the flexibility of re-using the same product for other applications.



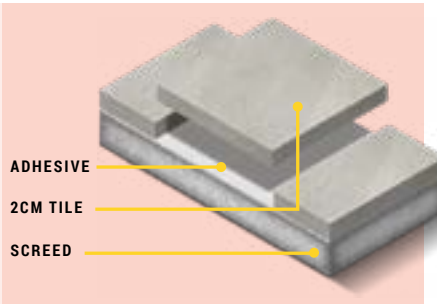
ON GRAVEL/SAND

Aesthetically pleasing and easy to install, the 2CM tile can be installed on top of soil and gravel. Seamless look can be achieved with a minimum joint and removed to change up the design.



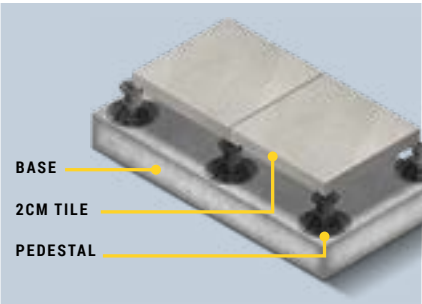
WITH ADHESIVE

Ideally for high static load areas such as gardens, garages, driveways and pool. The 2cm tile can be installed in the same manner as traditional porcelain tile with adhesives.



FLOATING FLOOR

There are multiple ways to install a floating floor with pedestals: fixed support, adjustable support, and self-leveling support.



Adjustable pedestal support system for raised indoor and outdoor floor coverings application



- Slope corrector 0 – 5%
- 320cm² of bottom base
- 1000 kg load capacity
- UV and weather resistance

TRIMS AND SPECIAL ORDER



Alternate sizes, textures, décor and trim pieces may also be available for special order. Contact your sales consultant for more information.



www.amestile.com

Burnaby
(604) 294-8453
(800) 661-8453

Calgary
(403) 243-0434
(800) 379-9502

Edmonton
(780) 483-8002
(888) 263-7276

Winnipeg
(204) 633-9491
(800) 663-2637

Ames West Second
(604) 320-6530
(800) 661-8453