

FLUSHMOUNT PRO



PRO SERIES



Our vent option without a rim. Perfectionists, we got you. A virtually invisible vent that blends into any surface.

Features

- Must be installed at sub-floor level, prior to flooring installation
- Applications: Floors / walls
- Requires skilled installer. Difficulty level is moderate
- Use with ANY surface material; hardwood, laminate, vinyl, carpet, tile etc.

Air Flow

Full air flow control. Slide tray to access air flow flanges.

Cleaning

Slide and remove tray for easy duct cleaning.

Size & Colour

	3"x10"	4"x10"
Matte Black	✓	✓

Available at: www.amestile.com



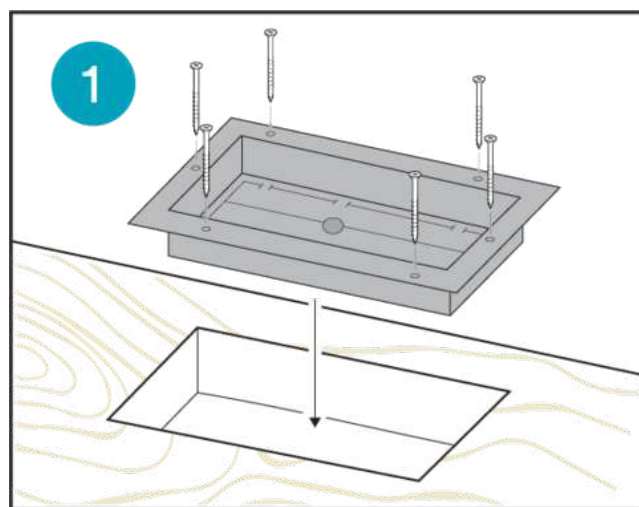
Inspire.
Design.
Create.

FLUSHMOUNT PRO

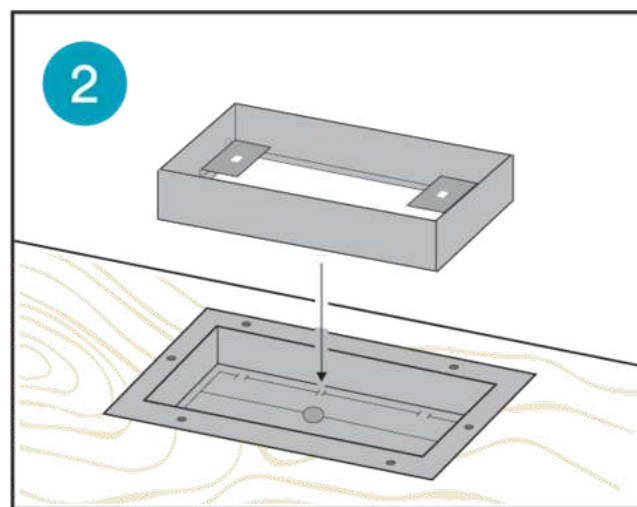
INSTALLATION GUIDE



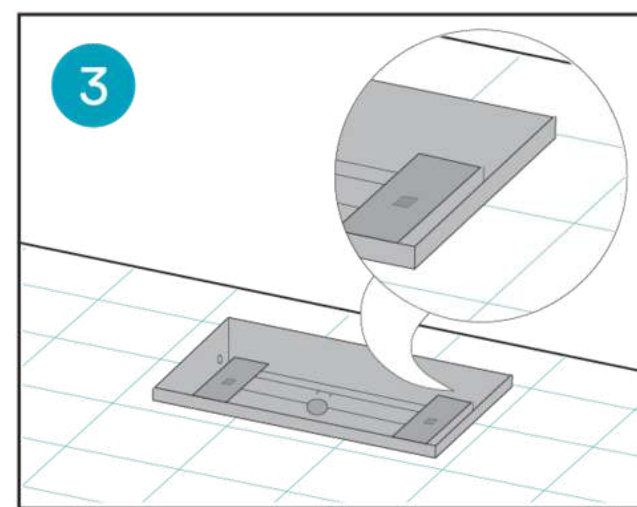
Aria Vent must be installed before flooring surface on the sub-floor level.
*This installation method is advanced. It can only be used for surfaces that are not installed.



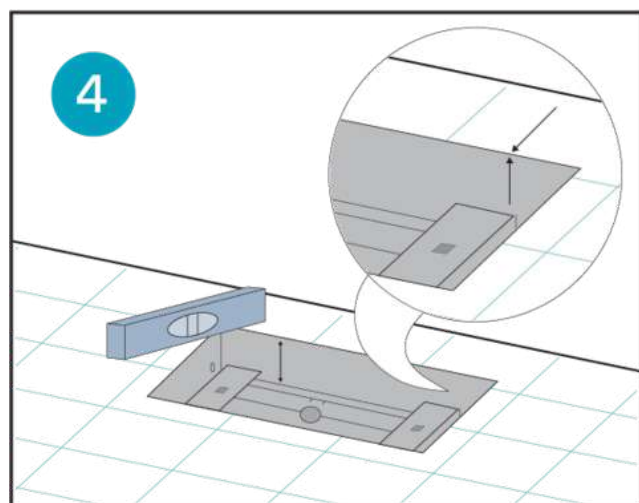
1 Drop base piece on subfloor and fasten with screws.



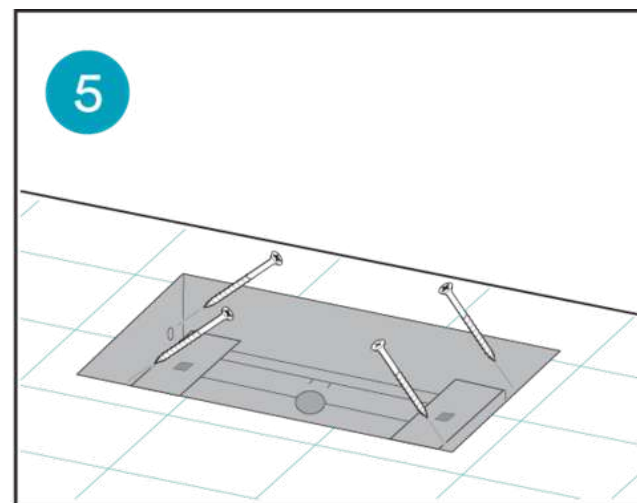
2 Dry fit body in base.



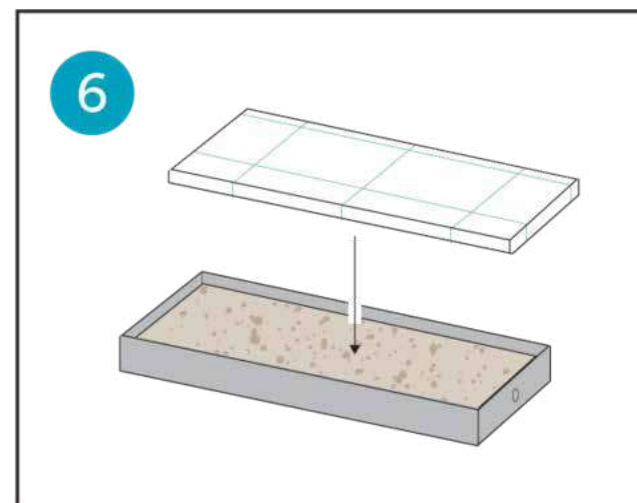
3 Install surface material on top of base piece and butt up to the body.



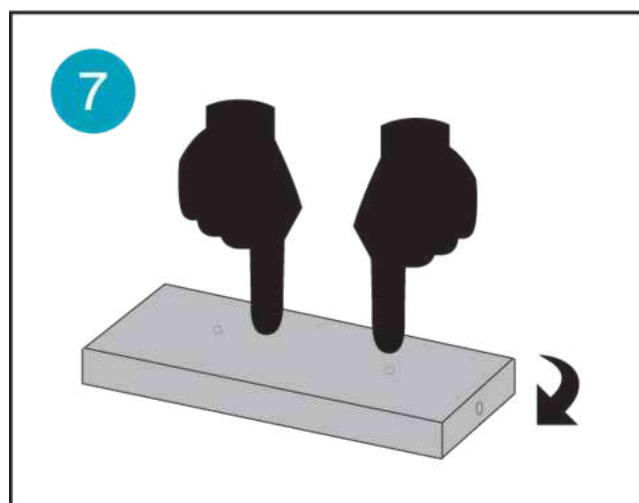
4 Adjust body up and down until flush with the top of surface material. Body should be flat to surface.



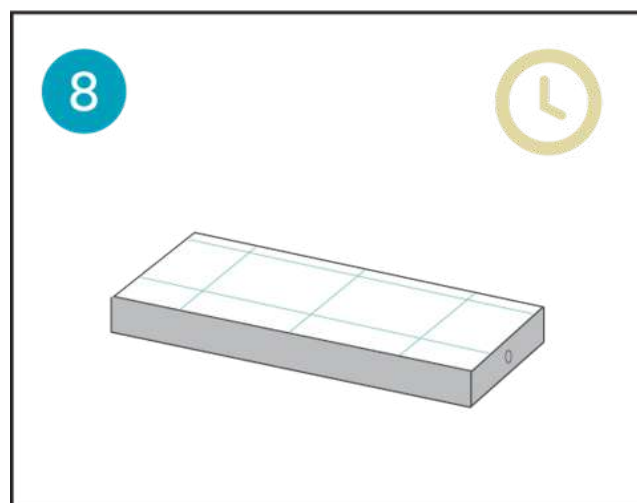
5 Once adjusted to preferred height, use 4 screws to fasten body to base piece.



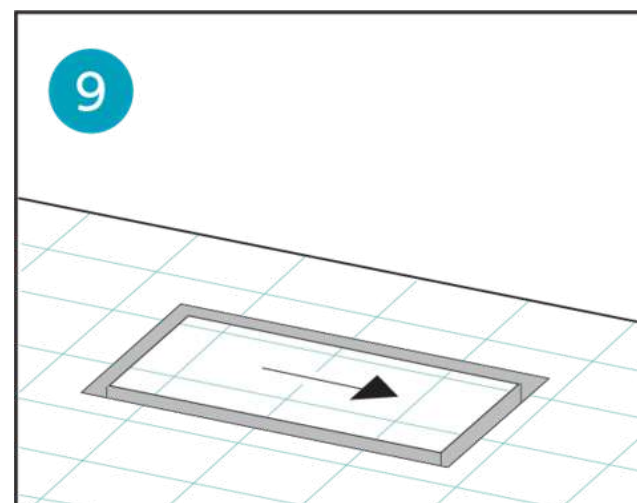
6 Back-fill tray with bonding material and place pre cut piece of surface material inside tray.



7 Hold in place. Flip tray upside down. Apply even pressure until surface material lies flat to the rim of tray.



8 Leave bonding material to cure.



9 Insert and slide tray in place.