

# ARIA VENT OG

## OG COLLECTION



The Original “OG”. Designed for the DIY detail-obsessed, neat-freak, clean-line, modern-minimalists of the world.

### Features

- Retro fit into existing surfaces
- Applications: floors / walls / ceilings
- Easy-to-use drop-in install for savvy DIYers
- Use with ANY surface material; hardwood, laminate, vinyl, carpet, tile etc

### Air Flow

Full air flow control. Slide tray to access air flow flanges.

### Cleaning

Slide and remove tray for easy duct cleaning.

### Size & Colour

	3"x10"	4"x10"
Matte Black	✓	✓
Matte Grey	✓	✓
Appliance White	✓	✓

Available at: [www.amestile.com](http://www.amestile.com)

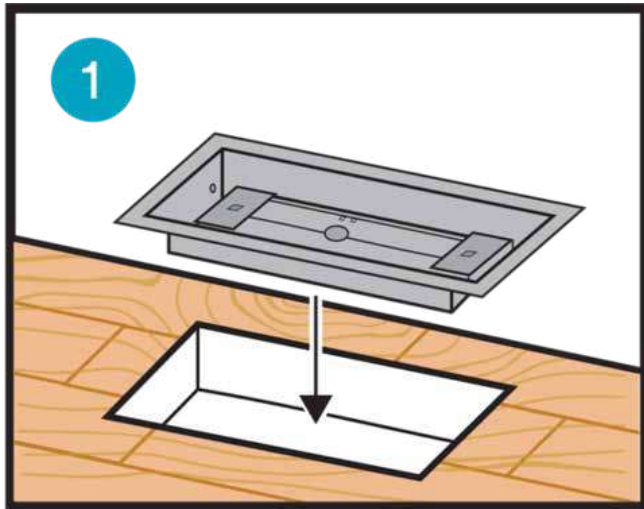


Inspire.  
Design.  
Create.

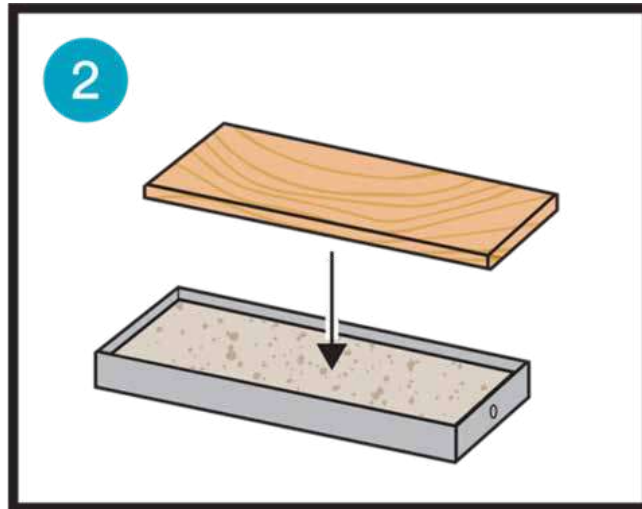
# ARIA VENT OG INSTALLATION GUIDE



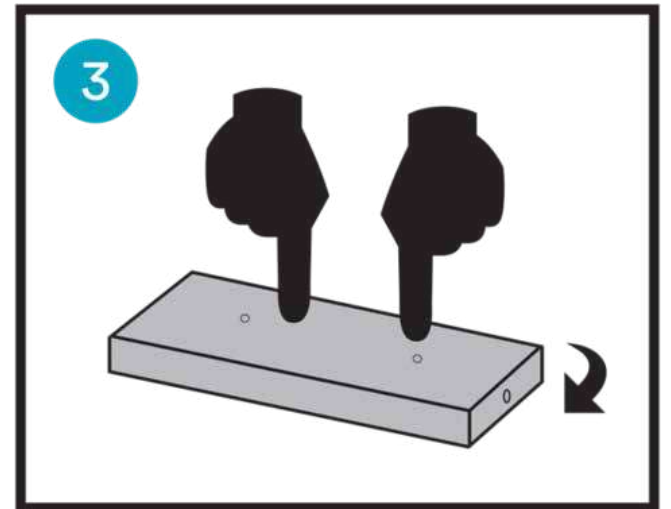
\*This installation method is best used for surfaces that are already installed.



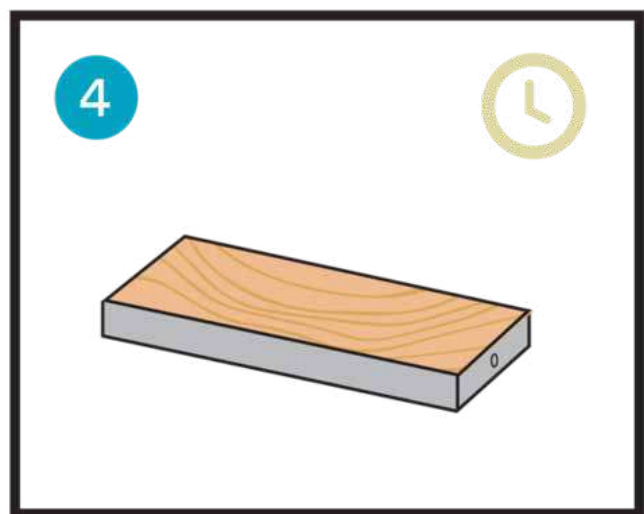
1 Dry fit Aria Vent body piece in opening.



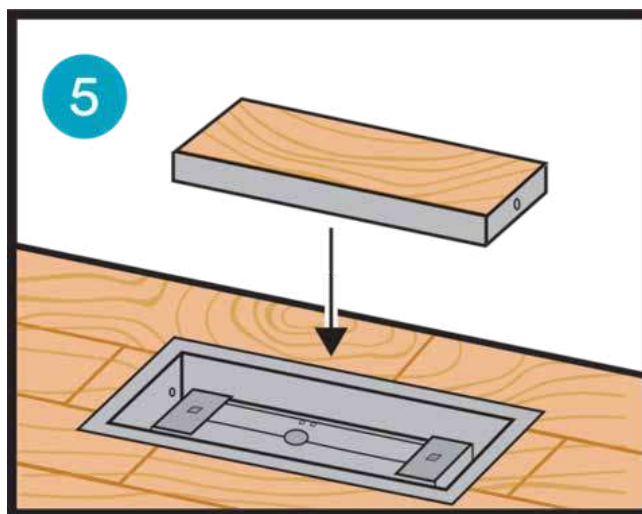
2 Apply adhesive bonding material in tray. Insert pre-cut flooring material.



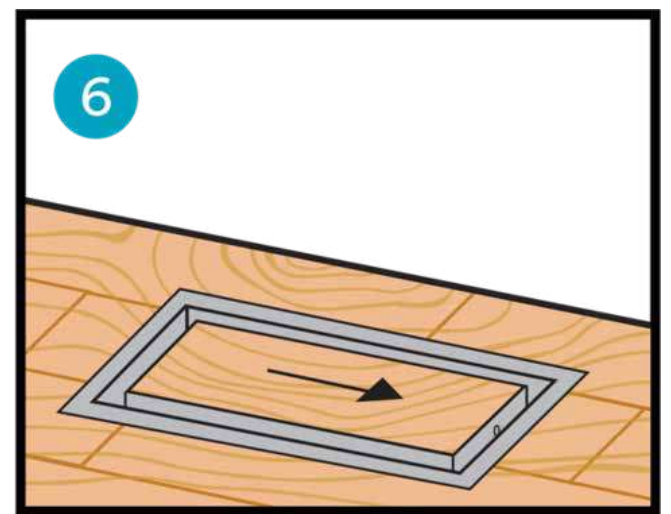
3 Hold in place. Flip tray upside down. Apply even pressure until flooring material lies flat with rim of the tray.



4 Leave bonding material to cure.



5 Insert tray in body.



6 Slide in place. Enjoy!